



Industrial Batteries – Network Power Marathon M FT AGM Modular Power.

Specifications

Excellent energy storage system on modular basis.

Specifications

- Marathon FT batteries are excellent AGM power packages offering a simplified modular power concept
- Maintenance-free (no topping up) during the whole service life
- Nominal capacity 35 – 200 Ah
- 12 years design life at 20°C ambient temperature (80% remaining capacity)
- EUROBAT Classification: Long Life
- Designed in accordance with IEC 60896-21/-22
- Central degassing
- Grid plate construction consisting of a lead calcium alloy
- Very low gassing due to internal gas recombination (99% efficient)
- Low self discharge rate
- Short recharging time
- Trouble-free transportation of operational blocks, no restrictions for most rail, road, sea and air transportation (IATA, DGR clause A 67)
- Completely recyclable



More power for Network Power.

Applications

Marathon FT batteries are reliable front terminal power packages, which combine remarkable high current characteristics and a long service life. Conceived as compact modules, they provide the flexibility for the desired power for a broad variety of profiles. Suitable for modular cabinet and rack installation. For telecommunications, and within both utility and UPS applications, Marathon FT batteries are efficient energy storage solutions, especially during extended backup times. Furthermore this range also offers great benefits for other security applications where the continuity of power is important.



| | | | |
|-------------------------------------|--|---|-------------------|
| | | | |
| <p>Design life in years: 12</p> | <p>Nominal capacity 35.0 – 200 Ah</p> | <p>Block battery</p> | <p>Grid plate</p> |
| | | | |
| <p>Recyclable</p> | <p>Valve regulated lead-acid batteries</p> | <p>Maintenance-free (no topping-up)</p> | |

| Type | Part number | Nom. voltage V | Nominal capacity | Nominal capacity | Capacity | Capacity | Length (l) max. mm | Width (b/w) max. mm | Height (h1) max. mm | Weight approx. kg | Internal resistance mOhm | Terminal |
|-----------|-----------------|-----------------------|--|---|---|---|---------------------------|----------------------------|----------------------------|--------------------------|---------------------------------|----------|
| | | | C ₁₀ 1.80 Vpc 20 °C Ah | C ₈ 1.75 Vpc 25 °C Ah | C ₃ 1.70 Vpc 20 °C Ah | C ₁ 1.60 Vpc 20 °C Ah | | | | | | |
| M6V200FT | NAMT060200HM0FA | 6 | 200 | 200 | 167 | 140 | 361 | 132 | 250 | 34.0 | 2.00 | F-M6 |
| M12V35FT | NAMF120035HM0MA | 12 | 35.0 | 35.0 | 30.8 | 27.2 | 280 | 107 | 189 | 14.0 | 11.1 | M-M6-90° |
| M12V50FT | NAMF120050HM0MA | 12 | 47.0 | 48.0 | 41.1 | 35.2 | 280 | 107 | 231 | 18.0 | 9.00 | M-M6-90° |
| M12V60FT | NAMF120060HM0MA | 12 | 59.0 | 59.0 | 50.2 | 41.3 | 280 | 107 | 263 | 23.0 | 7.90 | M-M6-90° |
| M12V90FT | NAMF120090HM0FA | 12 | 86.0 | 86.0 | 75.2 | 65.3 | 395 | 105 | 270 | 31.0 | 5.90 | F-M6-90° |
| M12V105FT | NAMF120105HM0FA | 12 | 100 | 104 | 86.6 | 71.3 | 511 | 110 | 238 | 35.8 | 5.70 | F-M6-90° |
| M12V125FT | NAMF120125HM0FA | 12 | 121 | 125 | 112 | 89.4 | 559 | 124 | 283 | 47.6 | 4.60 | F-M6-90° |
| M12V155FT | NAMF120155HM0FA | 12 | 150 | 155 | 131 | 104 | 559 | 124 | 283 | 53.8 | 4.10 | F-M6-90° |
| M12V180FT | NAMT120180-M0-- | 12 | - | 180 | - | - | 559 | 125 | 318 | 60.3 | - | f-M6 |

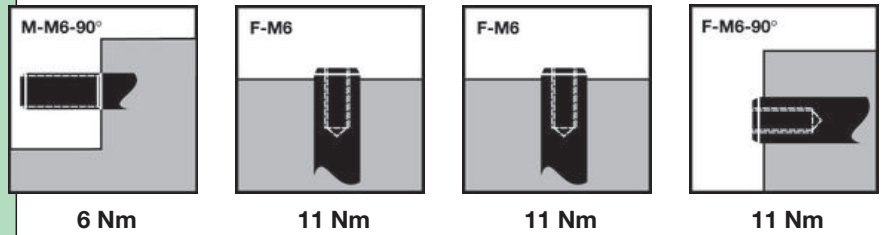
Installed length of type M6V200FT: 376 mm

Figures are also valid for UL 94-V0 version.
Change "H" to "V" or "A" in the part number.

E.g:
Standard NAMF120035 H M0MA
UL 94-V0 NAMF120035 V M0MA

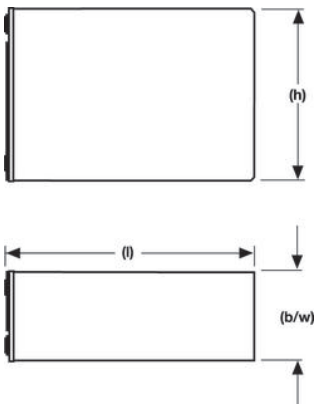
Type M6V200FT:
UL 94-V0 NAMT060200 A M0FA

Container, terminal and torque

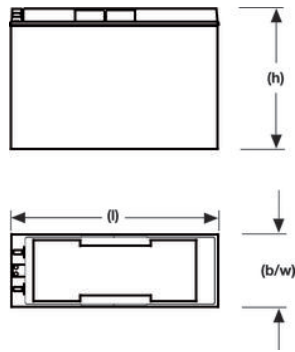


Container: UL 94-HB = Polypropylene (PP)
UL 94-V0 = Polypropylene (PP)

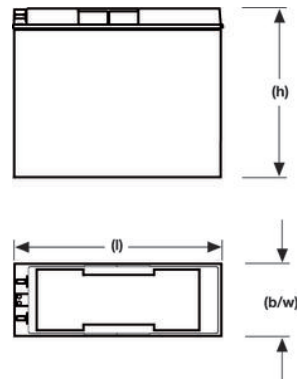
M6V200FT



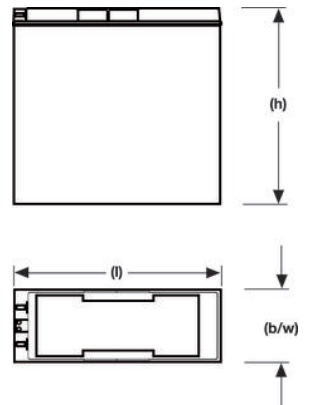
M12V35FT



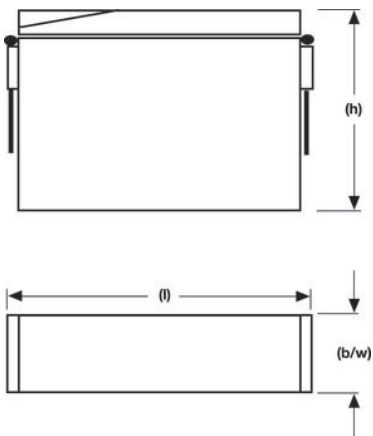
M12V50FT



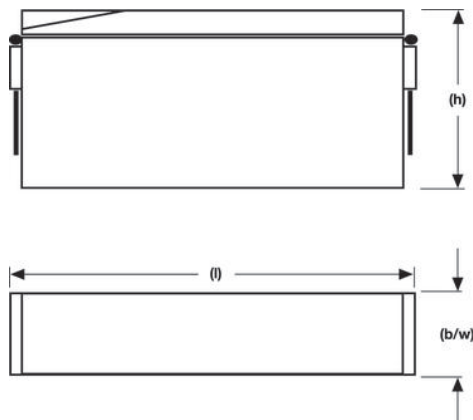
M12V60FT



M12V90FT

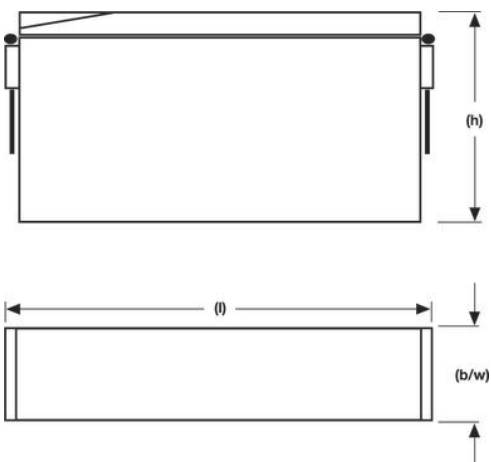


M12V105FT



M12V125FT

M12V155FT



Not to scale!

| 1.94 Vpc – Discharge in A at 20 °C | | | | | | | | | | | |
|---|-----------------|--------|--------|------|------|------|------|------|------|------|------|
| Type | Part number | 15 min | 30 min | 1 h | 2 h | 3 h | 4 h | 5 h | 8 h | 10 h | 20 h |
| M6V200FT | NAMT060200HM0FA | 131 | 131 | 90.7 | 54.9 | 40.3 | 32.4 | 27.3 | 18.8 | 15.4 | 8.30 |
| M12V35FT | NAMF120035HM0MA | 45.6 | 32.1 | 19.9 | 10.9 | 7.72 | 6.02 | 4.96 | 3.30 | 2.72 | 1.50 |
| M12V50FT | NAMF120050HM0MA | 67.3 | 43.6 | 26.1 | 14.8 | 10.5 | 8.21 | 6.72 | 4.41 | 3.61 | 1.90 |
| M12V60FT | NAMF120060HM0MA | 72.9 | 49.7 | 30.5 | 17.5 | 12.7 | 10.1 | 8.45 | 5.63 | 4.61 | 2.50 |
| M12V90FT | NAMF120090HM0FA | 106 | 76.0 | 47.0 | 26.8 | 19.5 | 15.4 | 12.7 | 8.37 | 6.86 | 3.70 |
| M12V105FT | NAMF120105HM0FA | 121 | 79.9 | 52.4 | 30.6 | 22.3 | 17.9 | 14.9 | 9.74 | 7.96 | 4.20 |
| M12V125FT | NAMF120125HM0FA | 97.4 | 77.8 | 62.1 | 36.6 | 27.0 | 21.2 | 17.3 | 11.4 | 9.47 | 5.00 |
| M12V155FT | NAMF120155HM0FA | 122 | 95.1 | 74.0 | 46.3 | 33.5 | 26.3 | 21.8 | 14.4 | 11.7 | 6.30 |

| 1.92 Vpc – Discharge in A at 20 °C | | | | | | | | | | | |
|---|-----------------|--------|--------|------|------|------|------|------|------|------|------|
| Type | Part number | 15 min | 30 min | 1 h | 2 h | 3 h | 4 h | 5 h | 8 h | 10 h | 20 h |
| M6V200FT | NAMT060200HM0FA | 159 | 155 | 97.7 | 59.0 | 43.0 | 34.4 | 29.0 | 20.0 | 16.3 | 8.80 |
| M12V35FT | NAMF120035HM0MA | 50.2 | 34.4 | 21.3 | 11.7 | 8.25 | 6.42 | 5.28 | 3.50 | 2.88 | 1.60 |
| M12V50FT | NAMF120050HM0MA | 73.0 | 46.8 | 28.0 | 15.9 | 11.2 | 8.67 | 7.10 | 4.66 | 3.82 | 2.10 |
| M12V60FT | NAMF120060HM0MA | 79.2 | 53.7 | 33.1 | 18.9 | 13.6 | 10.7 | 9.11 | 5.98 | 4.89 | 2.60 |
| M12V90FT | NAMF120090HM0FA | 120 | 81.1 | 50.5 | 28.5 | 20.4 | 16.1 | 13.4 | 8.86 | 7.26 | 3.90 |
| M12V105FT | NAMF120105HM0FA | 132 | 86.0 | 55.8 | 32.3 | 23.5 | 18.7 | 15.8 | 10.3 | 8.42 | 4.50 |
| M12V125FT | NAMF120125HM0FA | 125 | 91.7 | 67.3 | 39.7 | 29.1 | 22.7 | 18.6 | 12.1 | 10.1 | 5.40 |
| M12V155FT | NAMF120155HM0FA | 149 | 108 | 78.8 | 49.0 | 35.1 | 27.6 | 23.0 | 15.3 | 12.5 | 6.60 |

| 1.90 Vpc – Discharge in A at 20 °C | | | | | | | | | | | |
|---|-----------------|--------|--------|------|------|------|------|------|------|------|------|
| Type | Part number | 15 min | 30 min | 1 h | 2 h | 3 h | 4 h | 5 h | 8 h | 10 h | 20 h |
| M6V200FT | NAMT060200HM0FA | 187 | 166 | 105 | 63.0 | 45.8 | 36.5 | 30.6 | 21.1 | 17.2 | 9.30 |
| M12V35FT | NAMF120035HM0MA | 56.4 | 36.8 | 22.8 | 12.5 | 8.78 | 6.82 | 5.61 | 3.71 | 3.05 | 1.70 |
| M12V50FT | NAMF120050HM0MA | 79.2 | 50.1 | 29.6 | 16.9 | 11.9 | 9.19 | 7.52 | 4.92 | 4.02 | 2.20 |
| M12V60FT | NAMF120060HM0MA | 86.5 | 58.0 | 35.6 | 20.2 | 14.5 | 11.4 | 9.55 | 6.35 | 5.19 | 2.80 |
| M12V90FT | NAMF120090HM0FA | 130 | 86.7 | 53.9 | 30.3 | 21.6 | 17.2 | 14.1 | 9.33 | 7.66 | 4.10 |
| M12V105FT | NAMF120105HM0FA | 141 | 91.6 | 59.4 | 34.1 | 24.6 | 19.6 | 16.4 | 10.9 | 8.90 | 4.70 |
| M12V125FT | NAMF120125HM0FA | 152 | 105 | 72.6 | 42.3 | 31.1 | 24.0 | 19.6 | 12.9 | 10.5 | 5.70 |
| M12V155FT | NAMF120155HM0FA | 177 | 122 | 83.9 | 51.9 | 37.0 | 29.1 | 24.1 | 16.3 | 13.3 | 7.00 |

| 1.87 Vpc – Discharge in A at 20 °C | | | | | | | | | | | |
|---|-----------------|--------|--------|------|------|------|------|------|------|------|------|
| Type | Part number | 15 min | 30 min | 1 h | 2 h | 3 h | 4 h | 5 h | 8 h | 10 h | 20 h |
| M6V200FT | NAMT060200HM0FA | 231 | 182 | 115 | 66.9 | 48.6 | 38.7 | 32.4 | 22.4 | 18.3 | 9.80 |
| M12V35FT | NAMF120035HM0MA | 61.2 | 39.2 | 24.3 | 13.2 | 9.29 | 7.21 | 5.92 | 3.91 | 3.21 | 1.70 |
| M12V50FT | NAMF120050HM0MA | 85.6 | 53.8 | 31.1 | 17.6 | 12.5 | 9.69 | 7.93 | 5.20 | 4.26 | 2.30 |
| M12V60FT | NAMF120060HM0MA | 93.3 | 60.9 | 37.4 | 21.2 | 15.2 | 12.0 | 10.0 | 6.69 | 5.46 | 2.90 |
| M12V90FT | NAMF120090HM0FA | 142 | 93.2 | 57.4 | 32.0 | 23.1 | 18.0 | 14.7 | 9.77 | 8.03 | 4.40 |
| M12V105FT | NAMF120105HM0FA | 153 | 97.9 | 62.6 | 35.7 | 25.8 | 20.4 | 17.0 | 11.4 | 9.34 | 4.90 |
| M12V125FT | NAMF120125HM0FA | 169 | 115 | 78.0 | 44.9 | 33.0 | 25.4 | 20.8 | 13.6 | 11.1 | 6.10 |
| M12V155FT | NAMF120155HM0FA | 196 | 136 | 89.5 | 54.8 | 39.0 | 30.6 | 25.3 | 17.1 | 13.9 | 7.30 |

| 1.85 Vpc – Discharge in A at 20 °C | | | | | | | | | | | |
|---|-----------------|--------|--------|------|------|------|------|------|------|------|------|
| Type | Part number | 15 min | 30 min | 1 h | 2 h | 3 h | 4 h | 5 h | 8 h | 10 h | 20 h |
| M6V200FT | NAMT060200HM0FA | 259 | 191 | 122 | 70.1 | 50.6 | 40.1 | 33.5 | 23.0 | 18.9 | 10.1 |
| M12V35FT | NAMF120035HM0MA | 64.8 | 40.9 | 25.3 | 13.8 | 9.64 | 7.47 | 6.13 | 4.04 | 3.32 | 1.80 |
| M12V50FT | NAMF120050HM0MA | 90.2 | 56.3 | 32.2 | 18.2 | 12.9 | 10.0 | 8.20 | 5.38 | 4.41 | 2.40 |
| M12V60FT | NAMF120060HM0MA | 98.4 | 62.9 | 38.5 | 21.8 | 15.7 | 12.4 | 10.3 | 6.92 | 5.65 | 3.00 |
| M12V90FT | NAMF120090HM0FA | 152 | 97.8 | 59.5 | 33.2 | 23.5 | 18.3 | 15.1 | 10.0 | 8.28 | 4.50 |
| M12V105FT | NAMF120105HM0FA | 154 | 101 | 64.7 | 36.9 | 26.5 | 21.0 | 17.5 | 11.7 | 9.59 | 5.20 |
| M12V125FT | NAMF120125HM0FA | 175 | 119 | 79.1 | 46.4 | 34.3 | 26.4 | 21.6 | 14.1 | 11.5 | 6.30 |
| M12V155FT | NAMF120155HM0FA | 220 | 150 | 92.8 | 56.8 | 40.3 | 31.6 | 26.1 | 17.6 | 14.3 | 7.60 |

| 1.83 Vpc – Discharge in A at 20 °C | | | | | | | | | | | |
|------------------------------------|-----------------|--------|--------|------|------|------|------|------|------|------|------|
| Type | Part number | 15 min | 30 min | 1 h | 2 h | 3 h | 4 h | 5 h | 8 h | 10 h | 20 h |
| M6V200FT | NAMT060200HM0FA | 276 | 199 | 126 | 71.9 | 51.7 | 41.0 | 34.2 | 23.3 | 19.2 | 10.2 |
| M12V35FT | NAMF120035HM0MA | 66.9 | 41.8 | 25.7 | 14.0 | 9.80 | 7.59 | 6.23 | 4.11 | 3.37 | 1.80 |
| M12V50FT | NAMF120050HM0MA | 93.0 | 57.9 | 32.6 | 18.4 | 13.1 | 10.2 | 8.38 | 5.48 | 4.48 | 2.40 |
| M12V60FT | NAMF120060HM0MA | 101 | 65.0 | 39.2 | 22.2 | 15.9 | 12.6 | 10.5 | 7.03 | 5.74 | 3.00 |
| M12V90FT | NAMF120090HM0FA | 159 | 100 | 61.0 | 34.0 | 23.9 | 18.6 | 15.3 | 10.2 | 8.40 | 4.60 |
| M12V105FT | NAMF120105HM0FA | 163 | 104 | 66.3 | 37.7 | 27.1 | 21.4 | 17.9 | 12.0 | 9.79 | 5.20 |
| M12V125FT | NAMF120125HM0FA | 186 | 124 | 81.7 | 47.7 | 35.2 | 27.1 | 22.1 | 14.4 | 11.8 | 6.30 |
| M12V155FT | NAMF120155HM0FA | 233 | 157 | 95.8 | 58.1 | 41.2 | 32.3 | 26.7 | 17.9 | 14.5 | 7.70 |

| 1.80 Vpc – Discharge in A at 20 °C | | | | | | | | | | | |
|------------------------------------|-----------------|--------|--------|------|------|------|------|------|------|------|------|
| Type | Part number | 15 min | 30 min | 1 h | 2 h | 3 h | 4 h | 5 h | 8 h | 10 h | 20 h |
| M6V200FT | NAMT060200HM0FA | 297 | 210 | 132 | 75.1 | 53.8 | 42.5 | 35.3 | 24.0 | 19.9 | 10.5 |
| M12V35FT | NAMF120035HM0MA | 70.2 | 43.2 | 26.3 | 14.2 | 10.0 | 7.78 | 6.38 | 4.21 | 3.46 | 1.90 |
| M12V50FT | NAMF120050HM0MA | 97.3 | 60.1 | 33.5 | 18.7 | 13.2 | 10.4 | 8.64 | 5.66 | 4.68 | 2.40 |
| M12V60FT | NAMF120060HM0MA | 106 | 67.3 | 39.6 | 22.5 | 16.3 | 12.9 | 10.8 | 7.21 | 5.87 | 3.10 |
| M12V90FT | NAMF120090HM0FA | 170 | 105 | 63.0 | 35.0 | 24.5 | 19.1 | 15.7 | 10.4 | 8.58 | 4.70 |
| M12V105FT | NAMF120105HM0FA | 179 | 109 | 68.3 | 38.7 | 27.8 | 21.9 | 18.3 | 12.2 | 10.0 | 5.30 |
| M12V125FT | NAMF120125HM0FA | 204 | 132 | 85.1 | 49.2 | 36.3 | 27.9 | 22.8 | 14.8 | 12.1 | 6.40 |
| M12V155FT | NAMF120155HM0FA | 254 | 167 | 99.8 | 59.6 | 42.2 | 33.1 | 27.4 | 18.4 | 14.9 | 7.90 |

| 1.78 Vpc – Discharge in A at 20 °C | | | | | | | | | | | |
|------------------------------------|-----------------|--------|--------|------|------|------|------|------|------|------|------|
| Type | Part number | 15 min | 30 min | 1 h | 2 h | 3 h | 4 h | 5 h | 8 h | 10 h | 20 h |
| M6V200FT | NAMT060200HM0FA | 309 | 216 | 134 | 76.3 | 54.6 | 43.0 | 35.7 | 24.2 | 20.0 | 10.6 |
| M12V35FT | NAMF120035HM0MA | 71.4 | 43.6 | 26.4 | 14.3 | 10.0 | 7.82 | 6.42 | 4.24 | 3.48 | 1.90 |
| M12V50FT | NAMF120050HM0MA | 98.2 | 60.6 | 33.8 | 18.8 | 13.3 | 10.5 | 8.70 | 5.70 | 4.68 | 2.40 |
| M12V60FT | NAMF120060HM0MA | 107 | 67.9 | 39.6 | 22.7 | 16.4 | 13.0 | 10.8 | 7.26 | 5.91 | 3.10 |
| M12V90FT | NAMF120090HM0FA | 174 | 106 | 63.6 | 35.2 | 24.7 | 19.2 | 15.8 | 10.4 | 8.62 | 4.70 |
| M12V105FT | NAMF120105HM0FA | 184 | 112 | 69.3 | 39.2 | 28.1 | 22.2 | 18.5 | 12.4 | 10.1 | 5.30 |
| M12V125FT | NAMF120125HM0FA | 214 | 136 | 86.6 | 49.8 | 36.7 | 28.2 | 23.0 | 15.0 | 12.2 | 6.50 |
| M12V155FT | NAMF120155HM0FA | 265 | 172 | 101 | 60.3 | 42.8 | 33.5 | 27.7 | 18.6 | 15.1 | 7.90 |

| 1.75 Vpc – Discharge in A at 20 °C | | | | | | | | | | | |
|------------------------------------|-----------------|--------|--------|------|------|------|------|------|------|------|------|
| Type | Part number | 15 min | 30 min | 1 h | 2 h | 3 h | 4 h | 5 h | 8 h | 10 h | 20 h |
| M6V200FT | NAMT060200HM0FA | 323 | 220 | 135 | 76.9 | 55.1 | 43.5 | 36.2 | 24.5 | 20.2 | 10.7 |
| M12V35FT | NAMF120035HM0MA | 72.6 | 44.0 | 26.4 | 14.3 | 10.1 | 7.91 | 6.55 | 4.32 | 3.53 | 1.90 |
| M12V50FT | NAMF120050HM0MA | 99.3 | 61.0 | 34.2 | 19.0 | 13.5 | 10.6 | 8.82 | 5.77 | 4.69 | 2.50 |
| M12V60FT | NAMF120060HM0MA | 109 | 68.7 | 40.1 | 22.9 | 16.5 | 13.1 | 10.9 | 7.34 | 5.97 | 3.20 |
| M12V90FT | NAMF120090HM0FA | 178 | 108 | 64.0 | 35.5 | 24.9 | 19.3 | 15.9 | 10.5 | 8.68 | 4.70 |
| M12V105FT | NAMF120105HM0FA | 190 | 115 | 70.0 | 39.7 | 28.5 | 22.5 | 18.7 | 12.6 | 10.2 | 5.40 |
| M12V125FT | NAMF120125HM0FA | 233 | 141 | 88.1 | 50.4 | 37.1 | 28.6 | 23.3 | 15.2 | 12.4 | 6.50 |
| M12V155FT | NAMF120155HM0FA | 274 | 174 | 103 | 60.8 | 43.2 | 33.8 | 28.0 | 18.9 | 15.3 | 8.00 |

| 1.73 Vpc – Discharge in A at 20 °C | | | | | | | | | | | |
|------------------------------------|-----------------|--------|--------|------|------|------|------|------|------|------|------|
| Type | Part number | 15 min | 30 min | 1 h | 2 h | 3 h | 4 h | 5 h | 8 h | 10 h | 20 h |
| M6V200FT | NAMT060200HM0FA | 333 | 223 | 136 | 77.4 | 55.4 | 43.8 | 36.5 | 24.7 | 20.2 | 10.7 |
| M12V35FT | NAMF120035HM0MA | 73.1 | 44.4 | 26.5 | 14.3 | 10.2 | 8.01 | 6.65 | 4.34 | 3.54 | 1.90 |
| M12V50FT | NAMF120050HM0MA | 100 | 61.3 | 34.3 | 19.1 | 13.6 | 10.6 | 8.90 | 5.79 | 4.71 | 2.50 |
| M12V60FT | NAMF120060HM0MA | 110 | 69.0 | 40.2 | 23.0 | 16.6 | 13.1 | 11.0 | 7.37 | 6.00 | 3.20 |
| M12V90FT | NAMF120090HM0FA | 184 | 109 | 64.4 | 35.6 | 24.9 | 19.4 | 15.9 | 10.5 | 8.70 | 4.70 |
| M12V105FT | NAMF120105HM0FA | 192 | 116 | 70.5 | 40.0 | 28.6 | 22.6 | 18.8 | 12.7 | 10.3 | 5.40 |
| M12V125FT | NAMF120125HM0FA | 236 | 143 | 88.7 | 50.8 | 37.3 | 28.7 | 23.5 | 15.3 | 12.5 | 6.70 |
| M12V155FT | NAMF120155HM0FA | 287 | 177 | 104 | 61.2 | 43.5 | 34.1 | 28.2 | 18.9 | 15.4 | 8.00 |

| 1.70 Vpc – Discharge in A at 20 °C | | | | | | | | | | | |
|------------------------------------|-----------------|--------|--------|------|------|------|------|------|------|------|------|
| Type | Part number | 15 min | 30 min | 1 h | 2 h | 3 h | 4 h | 5 h | 8 h | 10 h | 20 h |
| M6V200FT | NAMT060200HM0FA | 343 | 226 | 137 | 77.8 | 55.7 | 44.0 | 36.7 | 24.8 | 20.3 | 10.8 |
| M12V35FT | NAMF120035HM0MA | 74.0 | 44.6 | 26.7 | 14.4 | 10.2 | 8.05 | 6.68 | 4.36 | 3.56 | 1.90 |
| M12V50FT | NAMF120050HM0MA | 101 | 61.5 | 34.5 | 19.2 | 13.6 | 10.7 | 8.94 | 5.84 | 4.74 | 2.50 |
| M12V60FT | NAMF120060HM0MA | 110 | 69.5 | 40.4 | 23.1 | 16.7 | 13.2 | 11.0 | 7.42 | 6.03 | 3.20 |
| M12V90FT | NAMF120090HM0FA | 187 | 110 | 64.7 | 35.7 | 25.0 | 19.4 | 16.0 | 10.6 | 8.74 | 4.80 |
| M12V105FT | NAMF120105HM0FA | 195 | 118 | 71.2 | 40.4 | 28.8 | 22.7 | 18.9 | 12.7 | 10.3 | 5.40 |
| M12V125FT | NAMF120125HM0FA | 241 | 147 | 89.6 | 51.2 | 37.5 | 28.9 | 23.7 | 15.4 | 12.6 | 6.70 |
| M12V155FT | NAMF120155HM0FA | 300 | 179 | 105 | 61.7 | 43.8 | 34.3 | 28.4 | 19.0 | 15.4 | 8.00 |

| 1.67 Vpc – Discharge in A at 20 °C | | | | | | | | | | | |
|------------------------------------|-----------------|--------|--------|------|------|------|------|------|------|------|------|
| Type | Part number | 15 min | 30 min | 1 h | 2 h | 3 h | 4 h | 5 h | 8 h | 10 h | 20 h |
| M6V200FT | NAMT060200HM0FA | 351 | 229 | 138 | 78.2 | 56.0 | 44.2 | 36.8 | 25.0 | 20.5 | 10.8 |
| M12V35FT | NAMF120035HM0MA | 74.9 | 44.8 | 26.8 | 14.5 | 10.3 | 8.08 | 6.72 | 4.39 | 3.58 | 1.90 |
| M12V50FT | NAMF120050HM0MA | 102 | 61.7 | 34.7 | 19.3 | 13.7 | 10.8 | 9.00 | 5.89 | 4.77 | 2.50 |
| M12V60FT | NAMF120060HM0MA | 111 | 69.9 | 40.7 | 23.2 | 16.8 | 13.3 | 11.1 | 7.46 | 6.06 | 3.20 |
| M12V90FT | NAMF120090HM0FA | 191 | 111 | 64.9 | 35.9 | 25.1 | 19.5 | 16.1 | 10.6 | 8.77 | 4.80 |
| M12V105FT | NAMF120105HM0FA | 199 | 119 | 72.0 | 40.7 | 29.0 | 22.8 | 19.0 | 12.8 | 10.4 | 5.40 |
| M12V125FT | NAMF120125HM0FA | 248 | 150 | 90.6 | 51.7 | 37.6 | 29.1 | 23.9 | 15.5 | 12.7 | 6.80 |
| M12V155FT | NAMF120155HM0FA | 307 | 180 | 106 | 62.2 | 44.2 | 34.5 | 28.5 | 19.1 | 15.5 | 8.00 |

| 1.65 Vpc – Discharge in A at 20 °C | | | | | | | | | | | |
|------------------------------------|-----------------|--------|--------|------|------|------|------|------|------|------|------|
| Type | Part number | 15 min | 30 min | 1 h | 2 h | 3 h | 4 h | 5 h | 8 h | 10 h | 20 h |
| M6V200FT | NAMT060200HM0FA | 357 | 231 | 139 | 78.6 | 56.3 | 44.4 | 36.9 | 25.0 | 20.5 | 10.8 |
| M12V35FT | NAMF120035HM0MA | 75.5 | 45.0 | 26.9 | 14.5 | 10.3 | 8.11 | 6.75 | 4.40 | 3.59 | 1.90 |
| M12V50FT | NAMF120050HM0MA | 103 | 62.0 | 34.9 | 19.3 | 13.8 | 10.9 | 9.08 | 5.92 | 4.80 | 2.50 |
| M12V60FT | NAMF120060HM0MA | 111 | 70.4 | 40.8 | 23.3 | 16.8 | 13.3 | 11.1 | 7.49 | 6.09 | 3.20 |
| M12V90FT | NAMF120090HM0FA | 193 | 112 | 65.1 | 36.0 | 25.2 | 19.6 | 16.1 | 10.6 | 8.79 | 4.80 |
| M12V105FT | NAMF120105HM0FA | 200 | 120 | 72.6 | 41.0 | 29.2 | 22.9 | 19.0 | 12.9 | 10.4 | 5.40 |
| M12V125FT | NAMF120125HM0FA | 250 | 152 | 91.2 | 52.0 | 37.7 | 29.3 | 24.0 | 15.6 | 12.7 | 6.80 |
| M12V155FT | NAMF120155HM0FA | 312 | 182 | 106 | 62.5 | 44.4 | 34.7 | 28.6 | 19.2 | 15.6 | 8.20 |

Figures are also valid for UL 94-V0 version.
Change "H" to "V" or "A" in the part number.

E.g:
Standard NAMF120035 H M0MA
UL 94-V0 NAMF120035 V M0MA

Type M6V200FT:
UL 94-V0 NAMT060200 A M0FA

| 1.94 Vpc – Discharge in W/block at 20 °C | | | | | | | | | | |
|--|-----------------|--------|--------|-----|-----|------|------|------|------|------|
| Type | Part number | 15 min | 30 min | 1 h | 2 h | 3 h | 4 h | 5 h | 8 h | 10 h |
| M6V200FT | NAMT060200HM0FA | 866 | 804 | 551 | 341 | 246 | 196 | 164 | 112 | 91.9 |
| M12V35FT | NAMF120035HM0MA | 564 | 377 | 231 | 130 | 92.5 | 72.3 | 59.8 | 40.0 | 33.0 |
| M12V50FT | NAMF120050HM0MA | 731 | 492 | 311 | 184 | 129 | 100 | 82.5 | 54.6 | 44.9 |
| M12V60FT | NAMF120060HM0MA | 882 | 597 | 365 | 211 | 153 | 121 | 102 | 67.5 | 55.0 |
| M12V90FT | NAMF120090HM0FA | 1184 | 889 | 562 | 324 | 235 | 187 | 156 | 103 | 84.5 |
| M12V105FT | NAMF120105HM0FA | 1250 | 968 | 612 | 352 | 255 | 203 | 170 | 112 | 91.8 |
| M12V125FT | NAMF120125HM0FA | 1159 | 1159 | 729 | 427 | 312 | 250 | 210 | 146 | 118 |
| M12V155FT | NAMF120155HM0FA | 1337 | 1309 | 862 | 530 | 385 | 306 | 257 | 174 | 142 |

| 1.92 Vpc – Discharge in W/block at 20 °C | | | | | | | | | | |
|--|-----------------|--------|--------|-----|-----|------|------|------|------|------|
| Type | Part number | 15 min | 30 min | 1 h | 2 h | 3 h | 4 h | 5 h | 8 h | 10 h |
| M6V200FT | NAMT060200HM0FA | 1011 | 857 | 585 | 363 | 262 | 207 | 173 | 118 | 96.9 |
| M12V35FT | NAMF120035HM0MA | 601 | 399 | 247 | 139 | 98.3 | 76.8 | 63.4 | 42.4 | 35.0 |
| M12V50FT | NAMF120050HM0MA | 798 | 525 | 331 | 196 | 137 | 106 | 87.4 | 57.7 | 47.4 |
| M12V60FT | NAMF120060HM0MA | 1017 | 644 | 392 | 224 | 162 | 128 | 107 | 71.8 | 58.5 |
| M12V90FT | NAMF120090HM0FA | 1429 | 944 | 596 | 341 | 247 | 196 | 164 | 109 | 88.9 |
| M12V105FT | NAMF120105HM0FA | 1526 | 1025 | 651 | 373 | 269 | 213 | 180 | 118 | 97.0 |
| M12V125FT | NAMF120125HM0FA | 1237 | 1237 | 778 | 453 | 330 | 264 | 222 | 155 | 125 |
| M12V155FT | NAMF120155HM0FA | 1626 | 1407 | 916 | 556 | 403 | 321 | 269 | 184 | 150 |

| 1.90 Vpc – Discharge in W/block at 20 °C | | | | | | | | | | |
|--|-----------------|--------|--------|-----|-----|-----|------|------|------|------|
| Type | Part number | 15 min | 30 min | 1 h | 2 h | 3 h | 4 h | 5 h | 8 h | 10 h |
| M6V200FT | NAMT060200HM0FA | 1153 | 920 | 620 | 386 | 277 | 219 | 182 | 125 | 102 |
| M12V35FT | NAMF120035HM0MA | 641 | 422 | 262 | 147 | 104 | 81.2 | 67.0 | 44.7 | 36.9 |
| M12V50FT | NAMF120050HM0MA | 868 | 561 | 351 | 208 | 145 | 112 | 92.3 | 60.8 | 49.9 |
| M12V60FT | NAMF120060HM0MA | 1114 | 694 | 420 | 238 | 171 | 135 | 112 | 76.1 | 61.9 |
| M12V90FT | NAMF120090HM0FA | 1546 | 1002 | 630 | 359 | 259 | 205 | 171 | 114 | 93.4 |
| M12V105FT | NAMF120105HM0FA | 1642 | 1085 | 690 | 393 | 283 | 224 | 187 | 125 | 102 |
| M12V125FT | NAMF120125HM0FA | 1321 | 1321 | 828 | 479 | 348 | 278 | 233 | 164 | 133 |
| M12V155FT | NAMF120155HM0FA | 1916 | 1517 | 975 | 579 | 419 | 335 | 282 | 195 | 159 |

| 1.87 Vpc – Discharge in W/block at 20 °C | | | | | | | | | | |
|--|-----------------|--------|--------|------|-----|-----|------|------|------|------|
| Type | Part number | 15 min | 30 min | 1 h | 2 h | 3 h | 4 h | 5 h | 8 h | 10 h |
| M6V200FT | NAMT060200HM0FA | 1340 | 1006 | 664 | 411 | 294 | 232 | 193 | 130 | 107 |
| M12V35FT | NAMF120035HM0MA | 679 | 444 | 277 | 155 | 109 | 85.5 | 70.5 | 46.9 | 38.7 |
| M12V50FT | NAMF120050HM0MA | 939 | 596 | 371 | 214 | 152 | 118 | 96.7 | 63.5 | 52.0 |
| M12V60FT | NAMF120060HM0MA | 1130 | 740 | 444 | 251 | 180 | 142 | 118 | 79.8 | 64.9 |
| M12V90FT | NAMF120090HM0FA | 1665 | 1061 | 665 | 377 | 271 | 214 | 178 | 119 | 97.6 |
| M12V105FT | NAMF120105HM0FA | 1771 | 1144 | 722 | 410 | 295 | 233 | 194 | 130 | 106 |
| M12V125FT | NAMF120125HM0FA | 1400 | 1400 | 873 | 504 | 366 | 291 | 244 | 168 | 139 |
| M12V155FT | NAMF120155HM0FA | 2350 | 1634 | 1042 | 605 | 440 | 351 | 295 | 203 | 165 |

| 1.85 Vpc – Discharge in W/block at 20 °C | | | | | | | | | | |
|--|-----------------|--------|--------|------|-----|-----|------|------|------|------|
| Type | Part number | 15 min | 30 min | 1 h | 2 h | 3 h | 4 h | 5 h | 8 h | 10 h |
| M6V200FT | NAMT060200HM0FA | 1475 | 1067 | 692 | 427 | 305 | 240 | 199 | 134 | 111 |
| M12V35FT | NAMF120035HM0MA | 710 | 460 | 288 | 161 | 113 | 88.3 | 72.8 | 48.4 | 39.9 |
| M12V50FT | NAMF120050HM0MA | 988 | 620 | 387 | 217 | 155 | 122 | 101 | 66.0 | 53.6 |
| M12V60FT | NAMF120060HM0MA | 1174 | 786 | 449 | 257 | 185 | 147 | 122 | 82.3 | 66.9 |
| M12V90FT | NAMF120090HM0FA | 1727 | 1098 | 689 | 389 | 279 | 220 | 183 | 123 | 100 |
| M12V105FT | NAMF120105HM0FA | 1782 | 1185 | 743 | 422 | 303 | 239 | 199 | 134 | 109 |
| M12V125FT | NAMF120125HM0FA | 2114 | 1454 | 905 | 521 | 377 | 300 | 251 | 172 | 144 |
| M12V155FT | NAMF120155HM0FA | 2466 | 1717 | 1083 | 626 | 454 | 362 | 303 | 209 | 170 |

| 1.83 Vpc – Discharge in W/block at 20 °C | | | | | | | | | | |
|--|-----------------|--------|--------|------|-----|-----|------|------|------|------|
| Type | Part number | 15 min | 30 min | 1 h | 2 h | 3 h | 4 h | 5 h | 8 h | 10 h |
| M6V200FT | NAMT060200HM0FA | 1536 | 1110 | 712 | 437 | 311 | 244 | 203 | 138 | 112 |
| M12V35FT | NAMF120035HM0MA | 730 | 468 | 292 | 163 | 115 | 89.6 | 73.8 | 49.1 | 40.4 |
| M12V50FT | NAMF120050HM0MA | 1014 | 633 | 396 | 221 | 157 | 123 | 102 | 67.2 | 54.5 |
| M12V60FT | NAMF120060HM0MA | 1217 | 804 | 458 | 261 | 188 | 149 | 124 | 83.6 | 67.9 |
| M12V90FT | NAMF120090HM0FA | 1794 | 1125 | 700 | 395 | 282 | 222 | 185 | 124 | 101 |
| M12V105FT | NAMF120105HM0FA | 1863 | 1216 | 760 | 431 | 309 | 244 | 203 | 137 | 112 |
| M12V125FT | NAMF120125HM0FA | 2178 | 1489 | 924 | 532 | 385 | 306 | 256 | 176 | 148 |
| M12V155FT | NAMF120155HM0FA | 2588 | 1776 | 1112 | 641 | 464 | 369 | 309 | 213 | 173 |

| 1.80 Vpc – Discharge in W/block at 20 °C | | | | | | | | | | |
|--|-----------------|--------|--------|------|-----|-----|------|------|------|------|
| Type | Part number | 15 min | 30 min | 1 h | 2 h | 3 h | 4 h | 5 h | 8 h | 10 h |
| M6V200FT | NAMT060200HM0FA | 1649 | 1182 | 749 | 453 | 322 | 253 | 209 | 142 | 116 |
| M12V35FT | NAMF120035HM0MA | 762 | 481 | 299 | 167 | 117 | 91.6 | 75.4 | 50.1 | 41.3 |
| M12V50FT | NAMF120050HM0MA | 1055 | 653 | 407 | 227 | 161 | 126 | 104 | 68.8 | 55.5 |
| M12V60FT | NAMF120060HM0MA | 1287 | 831 | 472 | 268 | 192 | 152 | 127 | 85.5 | 69.5 |
| M12V90FT | NAMF120090HM0FA | 1900 | 1167 | 717 | 403 | 288 | 226 | 188 | 127 | 103 |
| M12V105FT | NAMF120105HM0FA | 1983 | 1249 | 780 | 441 | 316 | 249 | 207 | 140 | 114 |
| M12V125FT | NAMF120125HM0FA | 2255 | 1532 | 949 | 545 | 394 | 313 | 262 | 179 | 151 |
| M12V155FT | NAMF120155HM0FA | 2772 | 1853 | 1148 | 658 | 475 | 377 | 316 | 217 | 177 |

| 1.78 Vpc – Discharge in W/block at 20 °C | | | | | | | | | | |
|--|-----------------|--------|--------|------|-----|-----|------|------|------|------|
| Type | Part number | 15 min | 30 min | 1 h | 2 h | 3 h | 4 h | 5 h | 8 h | 10 h |
| M6V200FT | NAMT060200HM0FA | 1705 | 1212 | 760 | 457 | 325 | 255 | 211 | 143 | 117 |
| M12V35FT | NAMF120035HM0MA | 773 | 485 | 301 | 168 | 118 | 92.2 | 76.0 | 50.5 | 41.6 |
| M12V50FT | NAMF120050HM0MA | 1059 | 658 | 409 | 228 | 162 | 127 | 105 | 69.1 | 55.7 |
| M12V60FT | NAMF120060HM0MA | 1315 | 840 | 476 | 270 | 193 | 153 | 127 | 86.0 | 69.9 |
| M12V90FT | NAMF120090HM0FA | 1940 | 1183 | 721 | 404 | 290 | 228 | 189 | 128 | 104 |
| M12V105FT | NAMF120105HM0FA | 2037 | 1272 | 789 | 446 | 319 | 252 | 210 | 142 | 115 |
| M12V125FT | NAMF120125HM0FA | 2291 | 1552 | 960 | 551 | 398 | 316 | 264 | 181 | 153 |
| M12V155FT | NAMF120155HM0FA | 2874 | 1892 | 1166 | 668 | 482 | 382 | 320 | 220 | 179 |

| 1.75 Vpc – Discharge in W/block at 20 °C | | | | | | | | | | |
|--|-----------------|--------|--------|------|-----|-----|------|------|------|------|
| Type | Part number | 15 min | 30 min | 1 h | 2 h | 3 h | 4 h | 5 h | 8 h | 10 h |
| M6V200FT | NAMT060200HM0FA | 1798 | 1246 | 773 | 462 | 327 | 257 | 213 | 144 | 118 |
| M12V35FT | NAMF120035HM0MA | 790 | 485 | 304 | 170 | 119 | 93.2 | 76.8 | 51.0 | 42.0 |
| M12V50FT | NAMF120050HM0MA | 1088 | 668 | 412 | 229 | 163 | 128 | 106 | 69.6 | 56.1 |
| M12V60FT | NAMF120060HM0MA | 1358 | 852 | 482 | 272 | 195 | 154 | 128 | 86.8 | 70.5 |
| M12V90FT | NAMF120090HM0FA | 1980 | 1200 | 728 | 405 | 290 | 229 | 190 | 129 | 105 |
| M12V105FT | NAMF120105HM0FA | 2116 | 1292 | 796 | 450 | 322 | 254 | 211 | 143 | 116 |
| M12V125FT | NAMF120125HM0FA | 2307 | 1562 | 966 | 553 | 399 | 319 | 266 | 183 | 155 |
| M12V155FT | NAMF120155HM0FA | 3014 | 1910 | 1171 | 673 | 484 | 386 | 322 | 220 | 180 |

| 1.73 Vpc – Discharge in W/block at 20 °C | | | | | | | | | | |
|--|-----------------|--------|--------|------|-----|-----|------|------|------|------|
| Type | Part number | 15 min | 30 min | 1 h | 2 h | 3 h | 4 h | 5 h | 8 h | 10 h |
| M6V200FT | NAMT060200HM0FA | 1839 | 1281 | 782 | 465 | 329 | 258 | 214 | 145 | 118 |
| M12V35FT | NAMF120035HM0MA | 794 | 487 | 305 | 170 | 120 | 93.5 | 77.0 | 51.2 | 42.2 |
| M12V50FT | NAMF120050HM0MA | 1094 | 671 | 413 | 230 | 163 | 128 | 106 | 69.8 | 56.2 |
| M12V60FT | NAMF120060HM0MA | 1371 | 855 | 483 | 273 | 196 | 154 | 128 | 87.0 | 70.6 |
| M12V90FT | NAMF120090HM0FA | 2016 | 1212 | 732 | 405 | 291 | 230 | 191 | 129 | 105 |
| M12V105FT | NAMF120105HM0FA | 2126 | 1304 | 800 | 451 | 323 | 255 | 212 | 144 | 117 |
| M12V125FT | NAMF120125HM0FA | 2324 | 1573 | 970 | 554 | 400 | 319 | 267 | 183 | 155 |
| M12V155FT | NAMF120155HM0FA | 3062 | 1928 | 1177 | 679 | 488 | 388 | 324 | 221 | 180 |

| 1.70 Vpc – Discharge in W/block at 20 °C | | | | | | | | | | |
|--|-----------------|--------|--------|------|-----|-----|------|------|------|------|
| Type | Part number | 15 min | 30 min | 1 h | 2 h | 3 h | 4 h | 5 h | 8 h | 10 h |
| M6V200FT | NAMT060200HM0FA | 1906 | 1309 | 790 | 467 | 330 | 259 | 214 | 145 | 118 |
| M12V35FT | NAMF120035HM0MA | 801 | 490 | 308 | 172 | 120 | 94.1 | 77.5 | 51.4 | 42.3 |
| M12V50FT | NAMF120050HM0MA | 1104 | 674 | 414 | 231 | 164 | 128 | 106 | 70.1 | 56.4 |
| M12V60FT | NAMF120060HM0MA | 1391 | 858 | 485 | 274 | 196 | 155 | 129 | 87.3 | 70.9 |
| M12V90FT | NAMF120090HM0FA | 2038 | 1221 | 735 | 406 | 292 | 231 | 192 | 129 | 105 |
| M12V105FT | NAMF120105HM0FA | 2142 | 1312 | 803 | 453 | 324 | 256 | 213 | 144 | 117 |
| M12V125FT | NAMF120125HM0FA | 2340 | 1582 | 974 | 555 | 400 | 320 | 268 | 185 | 155 |
| M12V155FT | NAMF120155HM0FA | 3137 | 1945 | 1183 | 682 | 491 | 390 | 326 | 222 | 180 |

| 1.67 Vpc – Discharge in W/block at 20 °C | | | | | | | | | | |
|--|-----------------|--------|--------|------|-----|-----|------|------|------|------|
| Type | Part number | 15 min | 30 min | 1 h | 2 h | 3 h | 4 h | 5 h | 8 h | 10 h |
| M6V200FT | NAMT060200HM0FA | 1986 | 1339 | 799 | 469 | 331 | 260 | 215 | 145 | 119 |
| M12V35FT | NAMF120035HM0MA | 808 | 493 | 309 | 173 | 121 | 94.6 | 77.9 | 51.7 | 42.5 |
| M12V50FT | NAMF120050HM0MA | 1113 | 678 | 416 | 232 | 165 | 129 | 107 | 70.5 | 56.7 |
| M12V60FT | NAMF120060HM0MA | 1412 | 862 | 487 | 275 | 196 | 156 | 130 | 87.6 | 71.1 |
| M12V90FT | NAMF120090HM0FA | 2061 | 1228 | 737 | 407 | 292 | 231 | 192 | 129 | 105 |
| M12V105FT | NAMF120105HM0FA | 2158 | 1321 | 806 | 455 | 325 | 257 | 213 | 145 | 117 |
| M12V125FT | NAMF120125HM0FA | 2357 | 1591 | 978 | 557 | 401 | 320 | 268 | 185 | 156 |
| M12V155FT | NAMF120155HM0FA | 3218 | 1961 | 1189 | 686 | 494 | 392 | 327 | 222 | 181 |

| 1.65 Vpc – Discharge in W/block at 20 °C | | | | | | | | | | |
|--|-----------------|--------|--------|------|-----|-----|------|------|------|------|
| Type | Part number | 15 min | 30 min | 1 h | 2 h | 3 h | 4 h | 5 h | 8 h | 10 h |
| M6V200FT | NAMT060200HM0FA | 2037 | 1354 | 805 | 471 | 332 | 260 | 216 | 146 | 119 |
| M12V35FT | NAMF120035HM0MA | 812 | 495 | 309 | 174 | 122 | 95.0 | 78.1 | 51.8 | 42.6 |
| M12V50FT | NAMF120050HM0MA | 1120 | 680 | 416 | 232 | 165 | 129 | 107 | 70.7 | 56.8 |
| M12V60FT | NAMF120060HM0MA | 1424 | 865 | 489 | 276 | 197 | 156 | 130 | 87.8 | 71.3 |
| M12V90FT | NAMF120090HM0FA | 2073 | 1235 | 739 | 408 | 293 | 231 | 193 | 130 | 105 |
| M12V105FT | NAMF120105HM0FA | 2169 | 1326 | 809 | 456 | 326 | 257 | 214 | 145 | 118 |
| M12V125FT | NAMF120125HM0FA | 2373 | 1599 | 981 | 557 | 403 | 321 | 269 | 186 | 157 |
| M12V155FT | NAMF120155HM0FA | 3267 | 1977 | 1196 | 688 | 496 | 393 | 328 | 223 | 182 |

Figures are also valid for UL 94-V0 version.
Change "H" to "V" or "A" in the part number.

E.g:
Standard NAMF120035 H M0MA
UL 94-V0 NAMF120035 V M0MA

Type M6V200FT:
UL 94-V0 NAMT060200 A M0FA

GNB[®] INDUSTRIAL POWER



Exide Technologies, with operations in more than 80 countries, is one of the world's largest producers and recyclers of lead-acid batteries. Exide provides a comprehensive and customized range of stored electrical energy solutions.

Based on over 100 years of experience in the development of innovative technologies, Exide is an esteemed partner of OEMs and serves the spare parts market for industrial and transportation applications. The GNB Industrial Power business unit offers an extensive range of storage products and services, including solutions for

telecommunications systems, railway applications, mining, photovoltaic (solar energy), uninterruptible power supply (UPS), electrical power generation and distribution, fork lifts and electric vehicles.

Exide Technologies takes pride in its commitment to a better environment. Its Total Battery Management programme, (an integrated approach to manufacturing, distributing and recycling of lead-acid batteries), has been developed to ensure a safe and responsible life cycle for all of its products.