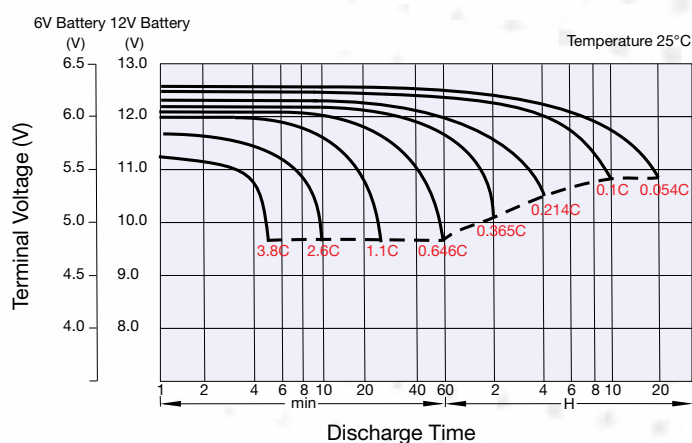
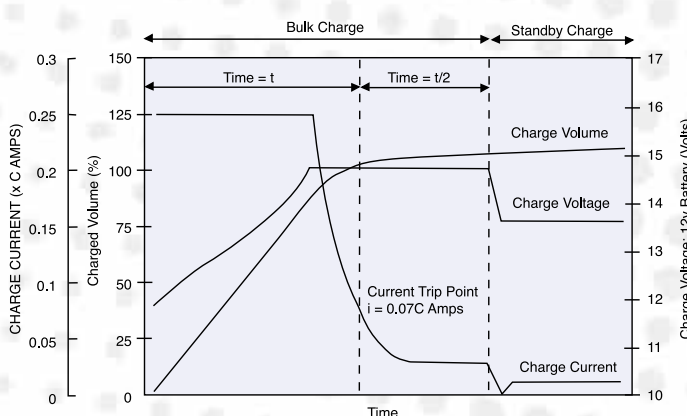


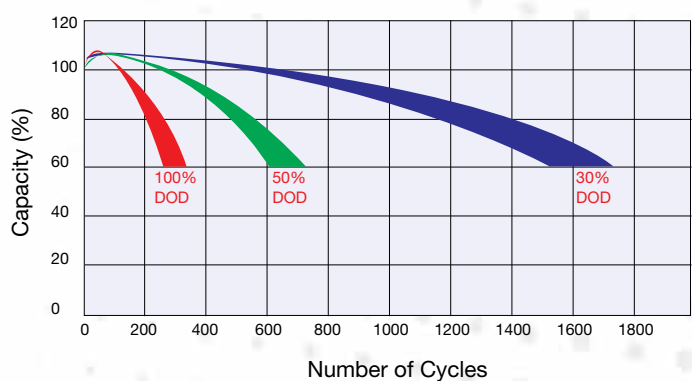
### DISCHARGE CHARACTERISTICS



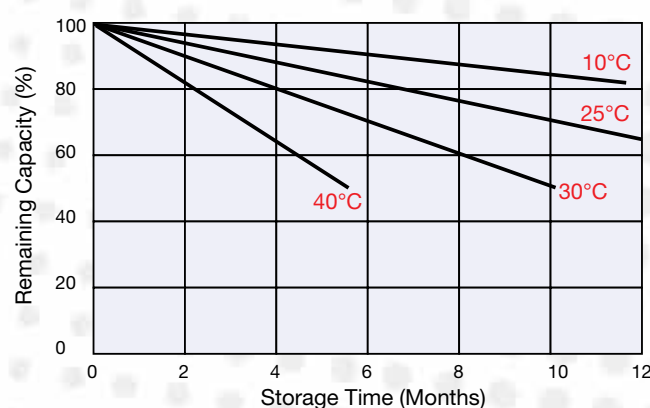
### CYCLIC RECHARGE REGIME



### CYCLE LIFE IN RELATION TO DEPTH OF DISCHARGE



### SELF DISCHARGE CHARACTERISTICS



### OPERATING TEMPERATURE RANGE

Charge:	0~40°C	(32~104°F)
Discharge:	-15~50°C	(5~122°F)
Storage:	-15~40°C	(5~104°F)

## Yu-Power™ Intelligent battery chargers

**Yu-Power™ intelligent chargers** utilise multi stage proportional timing technology to ensure safe and efficient charging of lead acid batteries.

The use of proportional timing during the bulk charging mode ensures the best balance of maximum state of charge, without damaging the battery before switching to the float charging mode. Once in float charge mode the charger will charge the battery and maintain it at 100% state of charge whilst using an ECO mode to save power.

The intelligence of these chargers is further demonstrated by employing a combination of cut off systems, which prevents overcharging of the battery.

Within the Yu-Power™ range there are charger types suitable for VRLA, car and motorcycle batteries.



**Yu-Power™ Series**  
DEEP CYCLE CYCLIC BATTERIES



**Yuasa Battery Sales (UK) Ltd**  
Unit 13 Hunts Rise, South Marston Ind Park,  
Swindon, SN3 4TG  
Tel: 08708 500312 Fax: 08708 500317  
E-mail: enquiries@yuasaeurope.com

Registered number 1548820

Cat. No. YPCSF June 2012  
E&O.E.

Distributed by

# YU-POWER™ DEEP CYCLE CYCLIC BATTERIES

The low maintenance and valve regulated construction combine with heavy duty plates and unique separator systems to make Yu-Power™ cyclic capability twice as long as conventional counterparts.

## FEATURES

### 1. Double cycle life

Yu-Power™ operates 500 charge/discharge cycles or twice as many cycles as conventional cycle use batteries at 75% D.O.D. (depth of discharge).

### 2. Valve-regulated and maintenance-free

Battery electrolyte retained solidly in the separator and the innovative gas recombinant system allows minimum gas emittance freeing the user from maintenance.

### 3. Durability for deep discharge use

The plate barrier prevention and the unique separator systems help ensure deep discharge use thus considerably prolonging battery's service life.

### 4. Minimal self-discharge

Cyclic use batteries tend to be left discharged after usage causing plate corrosion leading to shortened life. Self discharge rate of Yu-Power™ is as small as only 0.1% a day at 20°C and thus extends the storage period allowed.

### 5. Higher capacity with same footprint as standard cyclic batteries

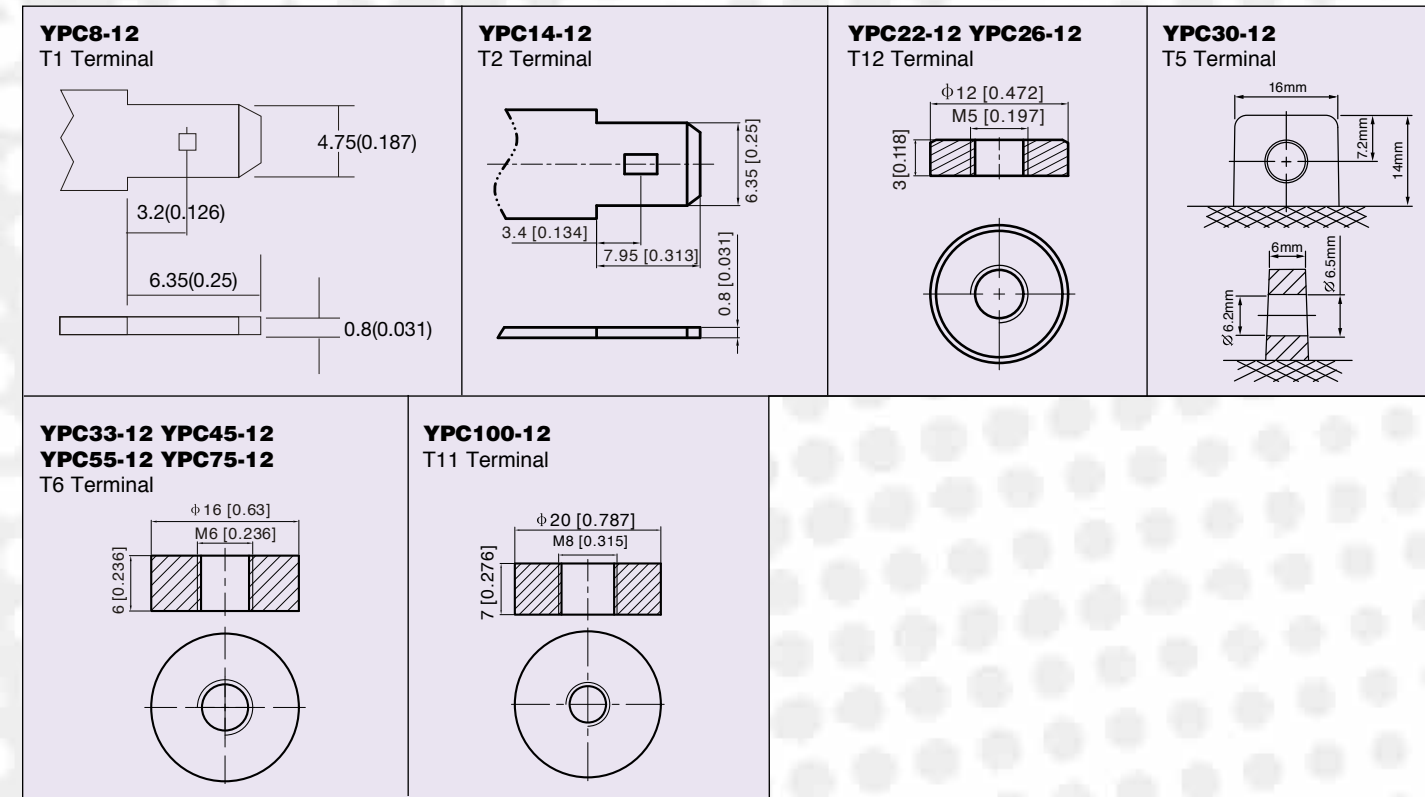
## Applications

- Electric tools
- Lawn mowers
- Portable apparatus
- Mobility scooters
- Golf trolleys and golf carts
- Wheel chairs
- Lights and instruments
- Solar
- Mobility aids

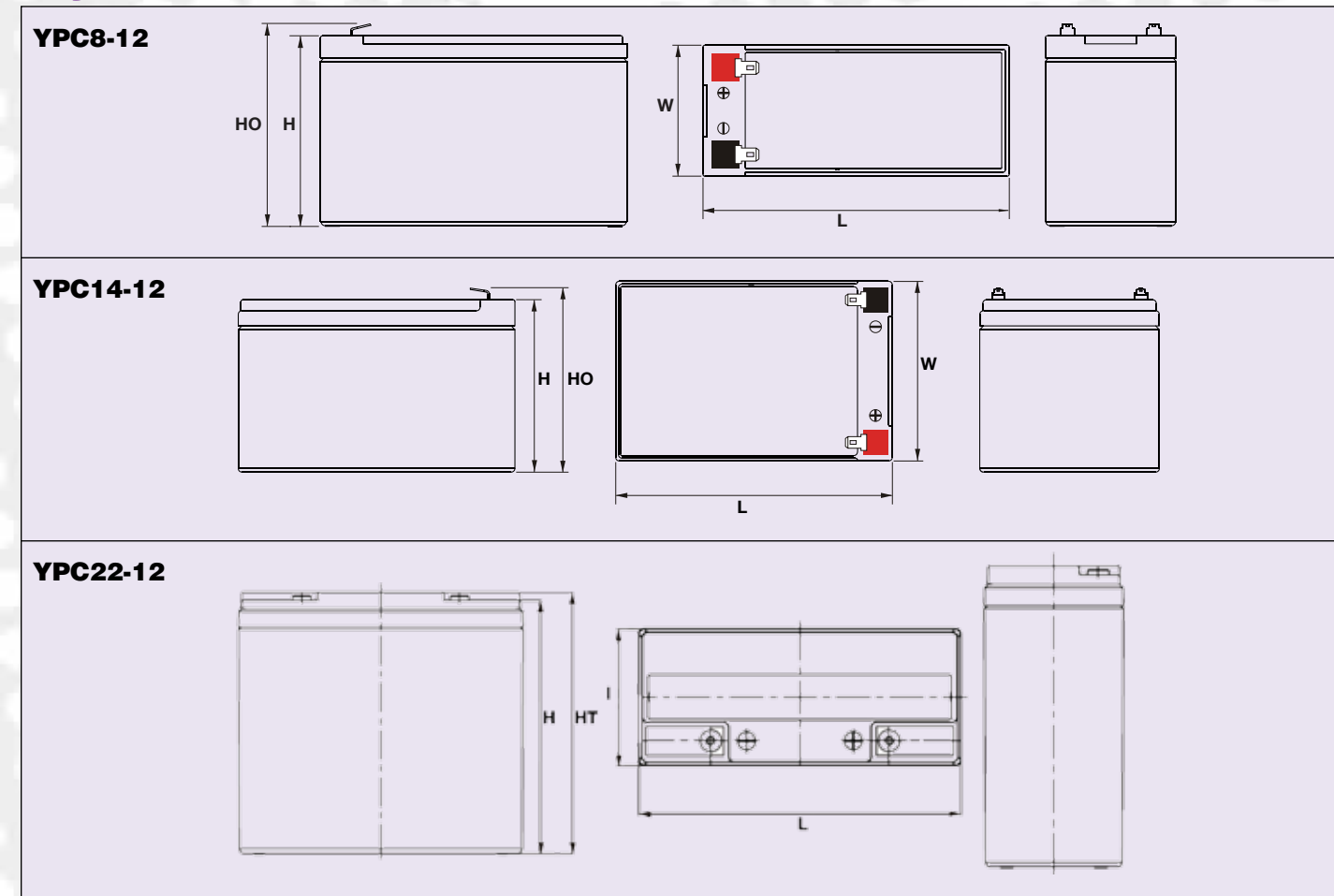
## General Specifications

Nominal Capacity (Ah)	YPC8-12	YPC14-12	YPC22-12	YPC26-12	YPC30-12	YPC33-12	YPC45-12	YPC55-12	YPC75-12	YPC100-12
Nominal Voltage	12	12	12	12	12	12	12	12	12	12
Energy Density (Wh/L)	109.4	119.0	110.4	85.0	80.2	102.2	104.8	109.3	106.2	106.3
Specific Energy (Wh/kg)	37.4	39.8	37.2	36.1	35.9	37.9	39.9	41.6	38.6	42.3
Int Resistance (m.ohms)	18.0	14.0	15.0	13.0	13.0	11.0	9.0	7.5	6.6	4.9
Maximum Discharge (A)	51	84	127	154	180	210	280	330	472	624
Short Circuit Current	120	210	330	390	450	495	540	660	900	1200
<b>Nominal Capacity @ 25°C (Ah)</b>										
20hr rate Capacity (Ah)	8.5	13.94	22	26	30	35	46.8	55	78.7	104
5hr rate Capacity (Ah)	7.22	11.90	18.50	21	25.5	29.7	38.7	47.3	65.5	87.7
3hr rate Capacity (Ah)	6.5	10.71	17.1	19.1	22.9	26.8	35.1	42.9	57.9	76.2
1hr rate Capacity (Ah)	5.34	8.79	12.90	15.5	18.8	22	27.5	33.6	45.6	65.1
<b>Dimensions (mm)</b>										
Length	152	151	181.5	166.5	195	195	197	229	260	330
Width	65.5	98	77	175	130	130	165	138	168	173
Container Height	94.5	95	166.5	125	164	164	170	205	208	212
Height Overall	100	101	166.5	125	180	167	170	211	214	220
Weight (kg)	2.75	4.2	6.9	8.57	9.3	11.2	14.5	17	25	30
Terminal	T1	T2	T12	T12	T5	T6	T6	T6	T6	T11
Terminal Torque (Nm)	\	\	2.0~3.0	2.0~3.0	3.9~5.4	3.9~5.4	3.9~5.4	3.9~5.4	3.9~5.4	11~14.7

## Terminals



## Layouts



## Layouts continued

